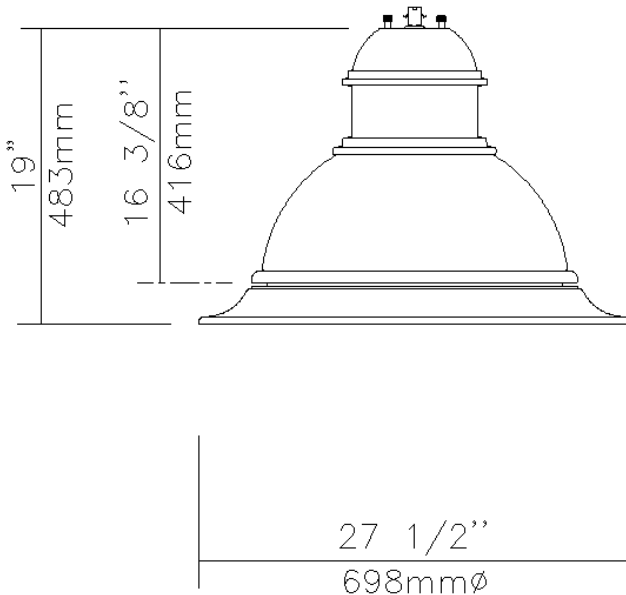




LEDGINE



EPA: 1.42 sq ft / weight: 42 lb (19.1 kg)

Note: 3D image may not represent color or option selected.
Logos above include link, click to access.

Qty	4	Luminaire	DMS50-70W64LED4K-R-LE3F-UNIV-BRTX
-----	---	-----------	-----------------------------------

Description of Components:

Hood: A die cast A360.1 aluminum dome complete with a cast-in technical ring with latch and hinge. The mechanism shall offer tool-free access to the inside of the luminaire. An embedded memory-retentive gasket shall ensure weatherproofing.

Housing: In a round shape, this housing is made of cast 356 aluminum, c/w a watertight grommet, mechanically assembled to the bracket with four bolts 3/8-16 UNC. This suspension system permits for a full rotation of the luminaire in 90 degree increments.

Light Engine: LEDgine composed of 5 main components: **Lens / LED lamp / Optical System / Heat Sink / Driver**
Electrical components are RoHS compliant.

Lens: Made of soda-lime clear tempered glass lens, mechanically assembled and sealed onto the lower part of the heat sink.

Lamp: LED Module (Included), LED type Philips Lumileds LUXEON R. Composed of 64 high-performance white LEDs. Color temperature of 4000 Kelvin nominal, 70 CRI. Operating lifespan based on TM-21 extrapolation to get results after which 50% of LEDs still emits over 70% (L70) of its original lumen output. Use of metal core board ensures greater heat transfer and longer lifespan of the light engine. The LED circuit board is included with a quick disconnect wiring connection for ease of replacement.

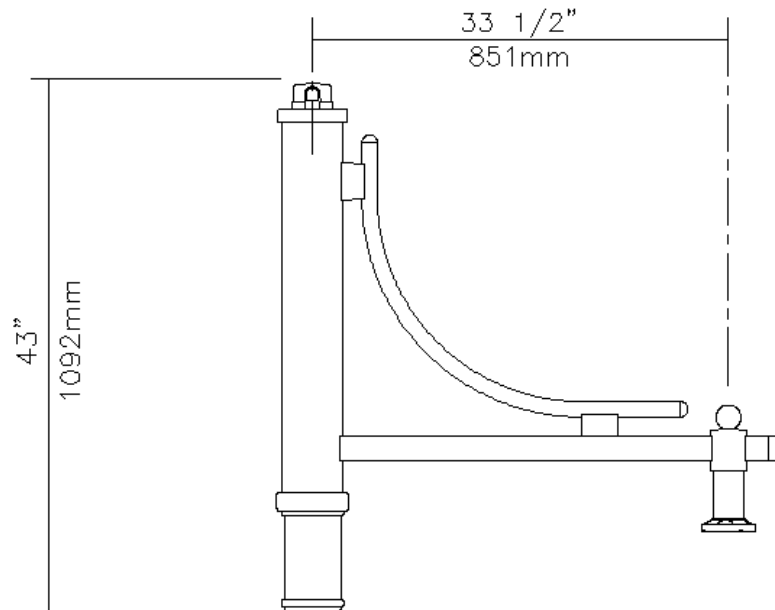
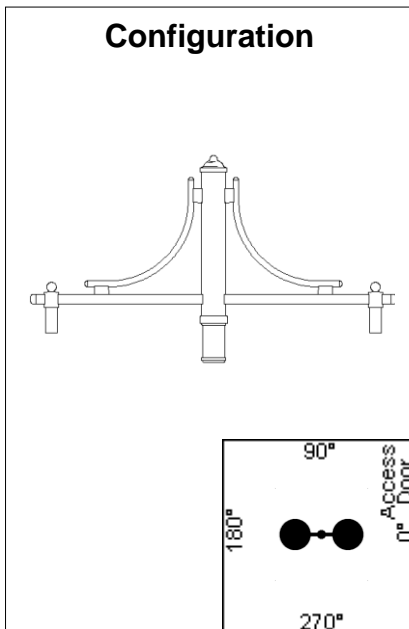
Optical System: (LE3F), IES type III (asymmetrical). Composed of high-performance optical grade PMMA acrylic refractor lenses to achieve desired distribution optimized to get maximum spacing, target lumens and a superior lighting uniformity. Optical system is rated IP66. Performance shall be tested per LM-63, LM-79 and TM-15 (IESNA) certifying its photometric performance. Street side indicated. Dark Sky compliant with 0% uplight and U0 per IESNA TM-15.

Heat Sink: Heat Sink: Made of die cast A360 aluminum optimising the LEDs efficiency and life, complete with a cast in skirt and technical ring. Product does not use any cooling device with moving parts (only passive cooling device)

Driver: High power factor of 95%. Electronic driver, operating range 50/60 Hz. **Auto-adjusting universal voltage input from 120 to 277 VAC rated for both application line to line or line to neutral, Class I**, THD of 20% max. Maximum ambient operating temperature from -40F(-40C) to 130F(55C) degrees. Certified in compliance to UL1310 cULus requirement. Dry and damp location. Assembled on a unitized removable tray with Tyco quick disconnect plug resisting to 221F(105C) degrees.

The current supplying the LEDs will be reduced by the driver if the driver experiences internal overheating as a protection to the LEDs and the electrical components. Output is protected from short circuits, voltage overload and current overload. Automatic recovery after correction. Standard built-in driver surge protection of 2.5kV (min).

Surge Protector: Surge protector tested in accordance with ANSI/IEEE C62.45 per ANSI/IEEE C62.41.2 Scenario I Category C High Exposure 10kV/10kA waveforms for Line-Ground, Line-Neutral and Neutral-Ground, and in accordance with U.S. DOE (Department of Energy) MSSLC (Municipal Solid-State Street Lighting Consortium) model specification for LED roadway luminaires electrical immunity requirements for High Test Level 10kV / 10kA.



Qty	2	Bracket	CRI-2-PH8/120-BRTX
-----	---	---------	--------------------

Description of Components:

Arm: Made of aluminum tubing 6061-T6, 2" x 2" (51mm x 51mm), welded.

Decorative Element: Made of cast 356 aluminum, 1 5/8"(42mm) outside diameter, welded.

Adaptor: Made of cast 356 aluminum, welded.

Central Adaptor: Made of aluminum 6061-T6, 5" (127mm) outside diameter. Complete with a cast 356 aluminum fitter that slip-fits 9" (229mm) over a 4" (102mm) outside diameter pole tenon. Mechanically assembled using two sets of four set screws at 90 degrees around the bracket.

Bracket Options: (PH8/120),PH8 twist lock type photocell, 120 volt c/w receptacle. Connection done on site by others.

Bracket Weight: 48 lbs (21.8 kg)

Miscellaneous

Description of Components:

Wiring: Gauge (#14) TEW/AWM 1015 or 1230 wires, 6" (152mm) minimum exceeding top of the bracket.

Hardware: All exposed screws shall be stainless steel with Ceramic primer-seal basecoat to reduce seizing of the parts. All seals and sealing devices are made and/or lined with EPDM and/or silicone and/or rubber.

Finish: Color to be **bronze (BR)** and in accordance with the AAMA 2603 standard. Application of polyester powder coat paint (4 mils/100 microns) with ± 1 mils/24 microns of tolerance. The Thermosetting resins provides a discoloration resistant finish in accordance with the ASTM D2244 standard, as well as luster retention in keeping with the ASTM D523 standard and humidity proof in accordance with the ASTM D2247 standard.

The surface treatment achieves a minimum of 2000 hours for salt spray resistant finish in accordance with testing performed and per ASTM B117 standard.

Surface Finish: *The above mentioned product has been specified in a smooth finish. We wish to inform you that we cannot guarantee a finish without imperfections (e.g. apparent grinding marks and porosity). We strongly recommend the use of a textured finish which provides better uniformity of surface finish. No return of merchandise showing above mentioned imperfection will be granted.*

Note: IMPORTANT: *All missing details must be clearly specified on the return of these approval drawings. Thank you for your cooperation.*

VOLTAGE:_____

LED products manufacturing standard: The electronic components sensitive to electrostatic discharge (ESD) such as light emitting diodes (LEDs) are assembled in compliance with IEC61340-5-1 and ANSI/ESD S20.20 standards so as to eliminate ESD events that could decrease the useful life of the product.

Quality Control: The manufacturer must provide a written confirmation of its ISO 9001-2008 and ISO 14001-2004 International Quality Standards Certification.

Vibration Resistance: The DMS50 meets the **ANSI C136.31**, American National Standard for Roadway Luminaire Vibration specifications for Bridge/overpass applications. (Tested for 3G over 100 000 cycles by an independent lab)

Web site information details: Click on any specific information details you need:

[Paint finish](#) / [Warranties](#) / [Installation pictures](#) / [ISO 9001-2008 Certification](#) / [ISO 14001-2004 Certification](#)

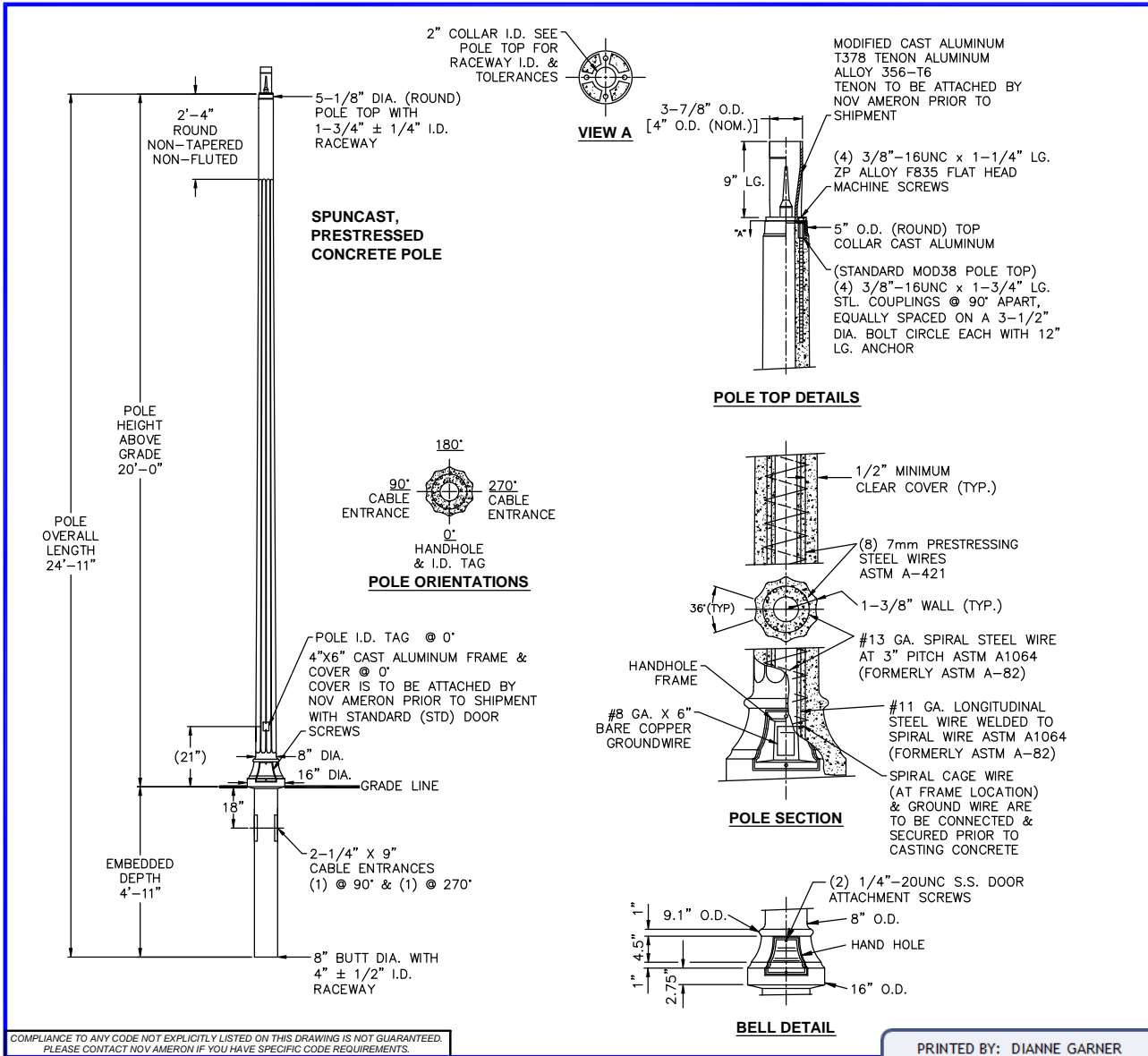
LED light engine technical information for DMS50 DMS55 RN20 RN30 TR20 AT50 with flat lens										
LED = Philips Lumileds Luxeon R, CRI = 70, CCT = 4000K (+/- 350K)										
System (LED + driver) rated life = 100,000 hrs ¹										
Lamp	Typical delivered lumens	Typical system wattage ² (W)	Typical current @ 120 V (A)	Typical current @ 208 V (A)	Typical current @ 240 V (A)	Typical current @ 277 V (A)	LED current (mA)	HID equivalent ³	Luminaire Efficacy Rating (Lm/W)	BUG rating
35W32LED4K-R-LE2F	3678	35	0.29	0.17	0.16	0.15	350	70 -100	105.1	B1-U0-G1
35W32LED4K-R-LE3F	3859	35	0.29	0.17	0.16	0.15	350	70 -100	110.2	B1-U0-G1
35W32LED4K-R-LE4F	3578	35	0.29	0.17	0.16	0.15	350	70 -100	102.2	B1-U0-G1
35W32LED4K-R-LE5F	3552	35	0.29	0.17	0.16	0.15	350	70 -100	101.5	B2-U0-G1
55W32LED4K-R-LE2F	5141	52	0.40	0.23	0.21	0.19	530	100 -150	98.9	B1-U0-G1
55W32LED4K-R-LE3F	5404	52	0.40	0.23	0.21	0.19	530	100 -150	103.9	B2-U0-G1
55W32LED4K-R-LE4F	5002	52	0.40	0.23	0.21	0.19	530	100 -150	96.2	B1-U0-G1
55W32LED4K-R-LE5F	4966	52	0.40	0.23	0.21	0.19	530	100 -150	95.5	B3-U0-G1
55W48LED4K-R-LE2F	5301	55	0.38	0.22	0.23	0.21	350	100 -150	96.4	B1-U0-G1
55W48LED4K-R-LE3F	5566	55	0.38	0.22	0.23	0.21	350	100 -150	101.2	B2-U0-G1
55W48LED4K-R-LE4F	5158	55	0.38	0.22	0.23	0.21	350	100 -150	93.8	B1-U0-G1
55W48LED4K-R-LE5F	5120	55	0.38	0.22	0.23	0.21	350	100 -150	93.1	B3-U0-G1
80W48LED4K-R-LE2F	7454	79	0.63	0.36	0.34	0.31	530	150 -175	94.3	B2-U0-G1
80W48LED4K-R-LE3F	7833	79	0.63	0.36	0.34	0.31	530	150 -175	99.2	B2-U0-G2
80W48LED4K-R-LE4F	7252	79	0.63	0.36	0.34	0.31	530	150 -175	91.8	B2-U0-G2
80W48LED4K-R-LE5F	7200	79	0.63	0.36	0.34	0.31	530	150 -175	91.1	B3-U0-G1
70W64LED4K-R-LE2F	7478	71	0.58	0.34	0.32	0.3	350	100 -150	105.3	B2-U0-G1
70W64LED4K-R-LE3F	7849	71	0.58	0.34	0.32	0.3	350	100 -150	110.6	B2-U0-G2
70W64LED4K-R-LE4F	7276	71	0.58	0.34	0.32	0.3	350	100 -150	102.5	B2-U0-G2
70W64LED4K-R-LE5F	7223	71	0.58	0.34	0.32	0.3	350	100 -150	101.7	B3-U0-G1
110W64LED4K-R-LE2F	10565	103	0.8	0.46	0.42	0.38	530	175 -200	102.6	B2-U0-G2
110W64LED4K-R-LE3F	11097	103	0.8	0.46	0.42	0.38	530	175 -200	107.7	B3-U0-G2
110W64LED4K-R-LE4F	10279	103	0.8	0.46	0.42	0.38	530	175 -200	99.8	B2-U0-G2
110W64LED4K-R-LE5F	10206	103	0.8	0.46	0.42	0.38	530	175 -200	99.1	B3-U0-G2
90W80LED4K-R-LE2F	9163	87	0.78	0.43	0.40	0.34	350	150 -175	105.3	B2-U0-G2
90W80LED4K-R-LE3F	9626	87	0.78	0.43	0.40	0.34	350	150 -175	110.6	B3-U0-G2
90W80LED4K-R-LE4F	8915	87	0.78	0.43	0.40	0.34	350	150 -175	102.5	B2-U0-G2
90W80LED4K-R-LE5F	8851	87	0.78	0.43	0.40	0.34	350	150 -175	101.7	B3-U0-G2
135W80LED4K-R-LE2F	12894	129	1.15	0.61	0.58	0.5	530	250 -320	100.0	B3-U0-G2
135W80LED4K-R-LE3F	13544	129	1.15	0.61	0.58	0.5	530	250 -320	105.0	B3-U0-G2
135W80LED4K-R-LE4F	12545	129	1.15	0.61	0.58	0.5	530	250 -320	97.2	B3-U0-G2
135W80LED4K-R-LE5F	12454	129	1.15	0.61	0.58	0.5	530	250 -320	96.5	B4-U0-G2

¹ L70 = 100,000 hrs (at ambient temperature = 25°C and forward current = 700 mA)

² System wattage includes the lamp and the LED driver.

³ Equivalence should always be confirmed by a photometric layout

Note : Due to rapid and continuous advances in LED technology, LED luminaire data is subject to change without notice and at the discretion of Philips.



COMPLIANCE TO ANY CODE NOT EXPLICITLY LISTED ON THIS DRAWING IS NOT GUARANTEED. PLEASE CONTACT NOV AMERON IF YOU HAVE SPECIFIC CODE REQUIREMENTS.

PRINTED BY: DIANNE GARNER
ON Monday, July 07, 2014

REV.	DATE	DESCRIPTION	DRN.	APPR.
A	07/14	WAS VBF06.2 POLE	T.L.	

"F" LEVEL CONFIG CODES		
OPTION CLASS	ENTRY	INFO
COATING	A	
HH COVER	66569E	
DOOR SCR	STD	
MISC. MOD	MODFE	NOTE 7

"P" LEVEL CONFIG CODES		
OPTION CLASS	ENTRY	INFO
MIX	11	
FINISH	3	
COLLAR	65825E	ROUND
POLE TOP CON.	MOD38	
STRUC. MOD	MODDCI	NOTE 8

VICTORIAN EMBEDDED FLUTED POLE						
POLE DESIGN-NATION	POLE HEIGHT A.G. (NOM.)	EMBEDDED DEPTH	POLE OVERALL LENGTH	BASE DIAMETER	ULTIMATE G.L. MOMENT (ft.-lbs.)	POLE WEIGHT (lbs.)
VEF06.1	20'-0"	4'-11"	24'-11"	16"	17,000	860

() POLES REQUIRED, EACH WITH MODIFIED CAST ALUMINUM T378 TENON ASSEMBLY, 3-7/8" O.D. x 9" LG. (P/N: 40378EM9A)

- NOTES:**
- MIX (113A): GRAY NATURAL, EXPOSED AGGREGATE FINISH WITH ARCHITECTURAL GLOSS ACRYLIC COATING.
 - ASTM C-150 TYPE III GRAY CEMENT.
 - f'c @ 28 DAYS = 7,000 PSI, USING SPUN CYLINDER TEST.
 - f'c @ 28 DAYS = 5,000 PSI, USING ASTM C-31 CYLINDER TEST.
 - POLES MANUFACTURED PER ASTM C-1089-13 SPECIFICATIONS.
 - PROTECTIVE COAT EXPOSED P.C. WIRES AT POLE ENDS.
 - MODFE: POLE BOTTOM PREPARATION FOR FREEZING OR CORROSIVE COASTAL ENVIRONMENT; SEE DOCUMENTATION.
 - MODDCI: CORROSION INHIBITOR MIX MODIFICATION.
 - THE POLE (& IMPLIED TENON TOP ASSEMBLY) DEPICTED ON THIS DRAWING IS DESIGNED TO WITHSTAND THE LOADS IMPARTED BY A SINGLE LUMEC CRI-1A-BR ARM (NOT TO EXCEED 34" OFFSET, 2.65 SQ FT EPA, 30 LBS.) WITH THE ARM SUPPORTING A SINGLE LUMEC DOMUS PENDANT TYPE LUMINAIRE (NOT TO EXCEED 2.0 SQ. FT. EPA, 50 POUNDS), AS DESIGNED PER THE 2013 AASHTO LTS-6 USING A 90 MPH WIND ZONE (3-SECOND GUSTS). PLEASE ADVISE IF THE INTENDED LOADING EXCEEDS THESE VALUES.

APPROVED BY _____ DATE _____

NOV Ameron Pole Products

CITY OF WOODSTOCK -- GEORGIA
VEF06.1 POLE WITH TENON ASSEMBLY

THIS DOCUMENT CONTAINS INFORMATION WHICH IS PROPRIETARY TO NOV AMERON. IT SHALL NOT BE REPRODUCED, USED OR DISCLOSED TO ANYONE WITHOUT THE PRIOR WRITTEN PERMISSION OF NOV AMERON.

DRAWN: T.L.	06/14	SCALE	DWG. NO.	REV
CHK'D:		N.T.S.	1406-058	A